



2016 MY CX-9 SPECIFICATION DECK

Mazda reserves the right to change product specifications
at any time without incurring obligations.

Production Timing:

Job#1: Feb 11, 2016

LINEUP:

FWD & AWD	CX-9 Sport
FWD & AWD	CX-9 Touring
FWD & AWD	CX-9 Grand Touring
AWD	CX-9 Signature

2016 CX-9 PRODUCT CHANGES

OVERVIEW

- 7 Passenger 3-row crossover sport-utility

MODEL / SERIES / AVAILABILITY

- New - Signature model (AWD)
(GT equipment plus other items listed on product summary page)

EXTERIOR CHANGES

- **Add**
 - Adaptive front-lighting system (GT)
 - LED headlights (All)
 - LED taillights (All)
 - LED fog lamps (GT)
 - Power liftgate (Touring)
 - Roof rails, Aluminum - Satin Chrome Finish (GT)
 - 245/60R18 to 255/60R18 (Sport/Touring)
 - 245/50R20 to 255/50R20 (GT)
- **Delete**
 - Memory mirrors (GT)
 - Tilt in reverse mirrors (GT)

INTERIOR CHANGES

- **Add**
 - Commander (All)
 - Auto dimming mirror with homelink (Touring)
 - Bose® premium audio with 12 speakers (GT)
 - Electronic parking brake (All)
 - Active Driving Display (Head-up display) (GT)
 - Push button start (All)
 - 2nd-row retractable window sunshades (GT)
 - Mazda advanced keyless entry system (Touring)
 - MAZDA CONNECT™ infotainment system (All)
 - Navigation system (GT)
 - Power-sliding glass moonroof with sunshade (GT)
 - SiriusXM® satellite radio w/ 4-month subscription (GT)
 - 7-inch full-color touch-screen (Sport)
 - 8-inch full-color touch-screen (Touring, GT, Signature)
 - Genuine aluminum trim (GT)
 - USB input (Sport +1, Touring/GT +3)
- **Delete**
 - CD player

FUNCTIONAL CHANGES

- **Add**
 - SKYACTIV-G 2.5T Dynamic Pressure Turbo engine (All)
 - SKYACTIV-DRIVE 6-speed AT with Sport and manual-shift mode (All)
 - 3,500 lb towing capacity (All)

COLOR & TRIM

Exterior colors

- **Add**
 - Snowflake White Pearl Mica (25D)
 - Deep Crystal Blue Mica (42M)
 - Sonic Silver Metallic (45P)
 - Machine Gray Metallic (46G)
 - Soul Red Metallic (41V)
- **Delete**
 - Crystal White Pearl Mica (34K)
 - Blue Reflex Mica (42B)
 - Liquid Silver Metallic (38P)
 - Zeal Red (41G)
 - Meteor Gray (42A)

Packaging

- **Touring package - New equipment**
 - 12 speakers ilo 10 speakers (Bose audio)
 - LED foglamps
 - Auto On-Off headlights
 - Rain sensing wipers
 - 2nd-row retractable window sunshades
 - Smart city brake support
- **Delete**
 - GT Technology package
 - GT Rear seat entertainment system package
 - Touring/GT Recreational accessory package

SAFETY

- **Add**
 - Distance Recognition Support System (GT)
 - High Beam Control (GT)
 - Lane Departure Warning (GT)
 - Lane Keep Assist (GT)
 - Mazda Radar Cruise Control (GT)
 - Rear View Camera (Sport)
 - Smart Brake Support (GT)
 - Smart City Brake Support (GT)
 - Trailer Stability Assist (All)
- **Delete**
 - Burglar alarm (GT)
 - Rear backup sensors (Touring)

Product Changes and Features Availability

Features, options and package content subject to change.

**2016 CX-9
PRODUCT SUMMARY**

Sport	Touring <small>(changes over Sport)</small>	Grand Touring <small>(changes over Touring)</small>	Signature <small>(changes over Grand Touring)</small>
<p>Functional / Powertrain</p> <ul style="list-style-type: none"> ● 227 HP with 87 AKI, 250 HP with 93 AKI ● 310 lb-ft torque ● SKYACTIV-G 2.5T 4-cylinder Dynamic Pressure Turbo ● SKYACTIV-DRIVE 6-speed automatic transmission with Sport and manual-shift mode ● ABS with Electronic Brakeforce Distribution (EBD) ● Front Wheel Drive or i-ACTIV All-Wheel Drive ● Hill Launch Assist ● Power-assisted ventilated front & solid rear disc brakes ● Stabilizer bars - front and rear <p>Exterior</p> <ul style="list-style-type: none"> ● 18" aluminum alloy wheels ● P255/60 R18 tires ● Body-color roof spoiler ● Daytime running lamp ● Dual exhaust outlets ● LED headlamps w/auto off and auto height control ● LED taillights ● Intermittent rear wiper ● Electric body-color door mirrors w/LED turn lamp ● Privacy glass on rear side windows & rear lift gate ● Variable intermittent windshield wipers ● AWD badge on all-wheel drive equipped vehicles <p>Interior</p> <ul style="list-style-type: none"> ● Air conditioning - 3-zone automatic climate control ● AM/FM radio with 6 speakers and HD radio ● Auxiliary audio input jack and two USB inputs ● Bluetooth® hands-free phone and Bluetooth® audio ● Cargo area lamp ● Cargo area storage boxes ● Cargo area under floor storage ● Cloth door trim ● Cruise control ● Cupholders - 1st row #2, 2nd row #2 - 3rd row #4 ● Front and rear door storage pockets with bottle holders ● Digital clock ● Glove compartment ● Illuminated entry ● Illumination - front door pocket ● Keyless entry ● Driver/passenger center console armrest with storage ● Leather wrapped shift knob and steering wheel ● Map lights ● 7 inch full-color touch-screen display ● MAZDA CONNECT™ infotainment system <ul style="list-style-type: none"> - Infotainment system voice command - Radio Broadcast Data System program information - Aha™ internet radio integration - Pandora® internet radio integration - Stitcher™ internet radio integration - SMS text message audio delivery and reply - E911 automatic emergency notification ● Overhead console with sunglass holder ● Outside temperature display ● 2nd row 60/40 seat with seat recline ● 3rd row 50/50 split seats ● Power door locks - (Speed sensing auto door locks) ● Power windows - illuminated <ul style="list-style-type: none"> - One touch auto open/close all windows w/anti-pinch ● 2nd row center armrest with cup holders ● Seats - cloth <ul style="list-style-type: none"> - 6-way manual adjustable drivers seat ● Sun visors with extension ● Tilt and telescopic steering wheel with cruise and audio controls ● Trip Computer ● 12v outlets #2 (front, cargo area) <p>Safety & Security</p> <ul style="list-style-type: none"> ● Advanced dual front air bags (SRS) ● Front side-impact air bags and side air curtains (1st to 3rd row coverage) with roll-over protection ● Dynamic Stability Control & Traction Control System & Trailer Stability Assist ● Rearview camera ● Roll Stability Control (RSC) ● 3-point safety belts for all seating positions ● Tire Pressure Monitoring System (TPMS) 	<p>Functional / Powertrain</p> <ul style="list-style-type: none"> ● <p>Exterior</p> <ul style="list-style-type: none"> ● Heated driver/passenger door mirrors ● Power lift gate with adjustable height <p>Interior</p> <ul style="list-style-type: none"> ● Auto dimming rearview mirror ● Homelink ● Heated front seats with three settings ● Leather trimmed seats (1st and 2nd row outboard seating positions) ● Mazda Advanced Keyless Entry and Start System ● Power driver seat - 8 way adjustable ● Power front passenger seat - 4 way adjustable ● Power lumbar support - Driver ● 8 inch full-color touch-screen display ● 2nd row center armrest with storage, cup holders and two USB inputs (Four total USB inputs) ● Sunvisor with illuminated vanity mirror <p>Safety & Security</p> <ul style="list-style-type: none"> ● Blind Spot Monitoring System ● Rear Cross Traffic Alert 	<p>Functional / Powertrain</p> <ul style="list-style-type: none"> ● <p>Exterior</p> <ul style="list-style-type: none"> ● 20" aluminum alloy wheels ● P255/50 R20 tires ● Adaptive Front-Lighting System (AFS) ● Chrome lower molding - front, side and rear ● LED Fog lights ● LED headlights with Auto On-Off ● Power-sliding glass moonroof w/sunshade ● Rain-sensing wipers ● Roof rails, Aluminum - Satin Chrome Finish <p>Interior</p> <ul style="list-style-type: none"> ● Active Driving Display (Head-Up Display) ● Bose® premium audio with 12 speakers ● Genuine aluminum interior trim ● Navigation system ● Power driver's seat with memory ● 2nd-row retractable window sunshades ● SiriusXM® satellite radio w/ 4-month subscription ● Front and rear door pocket LED illumination ● Front door pull handle and switch illumination (LED) ● Overhead LED illumination for A/T shifter area ● LED overhead room lamps <p>Safety & Security</p> <ul style="list-style-type: none"> ● Distance Recognition Support System (DRSS) ● High Beam Control (HBC) ● Lane Keep Assist (LKA) ● Mazda Radar Cruise Control (MRCC) ● Rear Backup Sensor ● Smart City Brake Support (SCBS) ● Smart Brake Support (SBS) 	<p>Functional / Powertrain</p> <ul style="list-style-type: none"> ● i-ACTIV AWD only <p>Exterior</p> <ul style="list-style-type: none"> ● LED grille lighting accent <p>Interior</p> <ul style="list-style-type: none"> ● Nappa leather ● Steering wheel with unique stitch ● Rosewood interior trim ● A/T shifter area LED accent lighting

Product Changes and Features Availability
Features, options and package content subject to change.

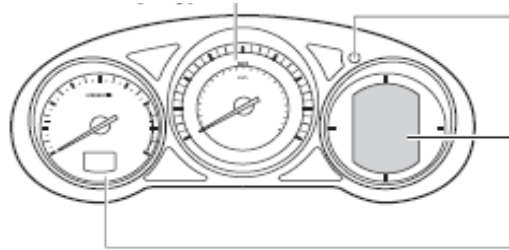
2016 CX-9

EQUIPMENT & FEATURES	Sport	Touring	Grand Touring	Signature
ENGINE & TRANSMISSION				
2.5L I4 Dynamic Pressure Turbo	Std	Std	Std	Std
Transmission, SKYACTIV®-Drive 6-Speed AT with manual-shift mode and Sport mode	Std	Std	Std	Std
Front wheel drive	Std	Std	Std	-
i-ACTIV all-wheel-drive system	Available	Available	Available	Std
SUSPENSION & CHASSIS				
Anti-lock Brake System (ABS) w/ Electronic Brakeforce Distribution (EBD)	Std	Std	Std	Std
Independent front MacPherson strut suspension with stabilizer bar	Std	Std	Std	Std
Independent rear multi-link suspension with stabilizer bar	Std	Std	Std	Std
Power-assisted rack-and-pinion steering with engine-speed-sensing variable assist	Std	Std	Std	Std
Power-assisted ventilated front disc brakes with two-piston calipers	Std	Std	Std	Std
Power-assisted ventilated rear disc brakes	Std	Std	Std	Std
Dynamic Stability Control (DSC) , Traction Control (TCS) and Trailer Stability Assist (TSA)	Std	Std	Std	Std
Roll Stability Control (RSC)	Std	Std	Std	Std
Hill Launch Assist	Std	Std	Std	Std
TIRES & WHEELS				
18 x 8 J aluminum alloy wheels	Std	Std	-	-
20 x 8.5J aluminum alloy wheels	-	-	Std	Std
P255/60 R18 tires	Std	Std	-	-
P255/50 R20 tires	-	-	Std	Std
T155/90 D17 - temporary spare tire	Std	Std	Std	Std
EXTERIOR FEATURES				
Dual exhaust outlets	Std	Std	Std	Std
Headlights - LED Low and High beams	Std	Std	Std	Std
Headlights - Auto Off feature	Std	Std	-	-
Headlights - Auto On/Off feature	-	Pkg	Std	Std
Headlights - Adaptive Front-Lighting System	-	-	Std	Std
Headlights - LED Daytime Running Lights	Std	Std	Std	Std
Headlights - High Beam Control	-	-	Std	Std
LED Fog lights	-	Pkg	Std	Std
LED grille lighting accent	-	-	-	Std
LED Rear combination lights	Std	Std	Std	Std
Lower molding color - front, side, rear	Black	Black	Chrome	Chrome
Mirrors - electric body colored w/ LED side marker lights	Std	Std	Std	Std
Mirrors - driver and passenger heated	Pkg	Std	Std	Std
Power-sliding glass moonroof with sunshade and one-touch open/close	-	Pkg	Std	Std
Privacy glass - rear side windows and rear liftgate glass	Std	Std	Std	Std
Roof rails, Aluminum - Satin Chrome Finish	Acc	Acc	Std	Std
Roof spoiler - body color	Std	Std	Std	Std
Windshield wipers - intermittent and variable	Std	Std	-	-
Windshield wipers - intermittent, variable, rain-sensing	-	Pkg	Std	Std
Windshield wipers - rear intermittent with washer	Std	Std	Std	Std
COMFORT & CONVENIENCE				
Air conditioning - automatic climate control operation with three zones	Std	Std	Std	Std
12V outlets - #2 (front and cargo area)	Std	Std	Std	Std
Front: cup holders #2	Std	Std	Std	Std
2nd row: cup holders #2	Std	Std	Std	Std
3rd row: cup holders #4	Std	Std	Std	Std
Storage pockets/bins with bottle holders - front and rear doors	Std	Std	Std	Std
Illuminated anti-pinch power windows with one-touch auto open/close (4 doors)	Std	Std	Std	Std
Assist handles - #4	Std	Std	Std	Std
Cargo area storage boxes	Std	Std	Std	Std
2nd row Center armrest with cup holders - (plus storage and two USB inputs on Touring, GT, Sig)	Std	Std	Std	Std
Center Console armrest with storage - two USB inputs	Std	Std	Std	Std
Coat Hook - Rear #2	Std	Std	Std	Std
Cruise Control	Std	Std	-	-
Mazda Radar Cruise Control (MRCC)	-	-	Std	Std
Door locks - (speed sensing auto door locks)	Std	Std	Std	Std
Heater/defroster with rear heater ducts	Std	Std	Std	Std
Homelink® and auto-dimming mirror	-	Std	Std	Std
Illuminated Entry	Std	Std	Std	Std
Illumination LED - A/T shifter area accent lighting	-	-	-	Std
Illumination LED - Overhead A/T shifter area	-	-	Std	Std
Illumination - Front door pocket	Std	Std	-	-
Illumination LED - front and rear door pocket	-	-	Std	Std
Illumination LED - front door pull handle and power window switch	-	-	Std	Std
Interior trim - Genuine Aluminum	-	-	Std	Std
Interior trim - Genuine Rosewood	-	-	-	Std
Remote Keyless Entry	Std	-	-	-
Remote Keyless Entry - Mazda Advanced Keyless Entry and Start System	-	Std	Std	Std
Map lights	Std	Std	Std	Std
Overhead Console with sunglasses holder	Std	Std	Std	Std
Power open / close rear liftgate with adjustable height	-	Std	Std	Std
Cargo area under floor storage	Std	Std	Std	Std
Rear window defogger with timer	Std	Std	Std	Std
Remote fuel door	Std	Std	Std	Std
Second-row retractable window sunshades	-	Pkg	Std	Std
Steering wheel - tilt, telescopic, with audio and cruise controls	Std	Std	Std	Std
Sun visors - vanity mirrors	Std	Std	Std	Std
Sun visors - vanity mirrors w/ illumination	-	Std	Std	Std

2016 CX-9

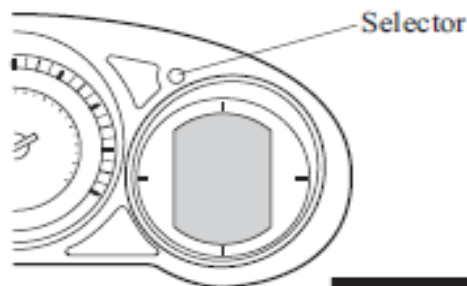
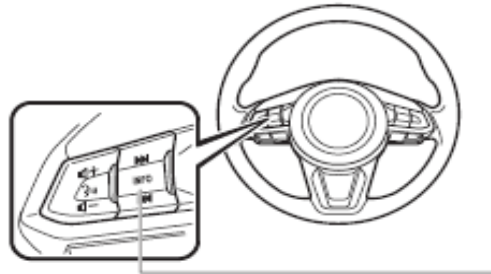
EQUIPMENT & FEATURES	Sport	Touring	Grand Touring	Signature
SEATING & TRIM				
7-passenger seating capacity	Std	Std	Std	Std
60/40 split fold-down reclining 2nd row seats with tilt and slide rear-access mechanism	Std	Std	Std	Std
50/50 split fold-down 3rd-row seats	Std	Std	Std	Std
Headrests, adjustable - front & rear (all outboard seating positions)	Std	Std	Std	Std
Floor mats - carpeted front, 2nd row, & rear	Std	Std	Std	Std
Front driver and passenger seatback pocket	One per seat	Two per seat	Two per seat	Two per seat
Heated front seats with three settings	Pkg	Std	Std	Std
Interior door handles – bright finish	Std	Std	Std	Std
Manual driver's seat - 6-way adjustable	Std	-	-	-
Power driver's seat - 8-way adjustable with power lumbar support	Pkg	Std	-	-
Power driver's seat - 8-way adjustable with power lumbar support and 2 position memory	-	-	Std	Std
Power front passenger seat - 4 way adjustable	-	Std	Std	Std
Seat material - Cloth	Std	-	-	-
Seat material - Leather-trimmed (first and second row outboard seating positions)	-	Std	Std	-
Seat material - Nappa Leather-trimmed (first and second row outboard seating positions)	-	-	-	Std
Shift knob - leather wrapped	Std	Std	Std	Std
Steering wheel – leather wrapped	Std	Std	Std	-
Steering wheel – leather wrapped w/unique stitch	-	-	-	Std
AUDIO SYSTEM				
AM/FM/HD Radio	Std	Std	Std	Std
6-speaker sound system	Std	Std	-	-
Auxiliary audio input jack	Std	Std	Std	Std
Bose audio system	-	Pkg	Std	Std
- Centerpoint 2.0 Surround technology				
- Audiotipilot 2 Noise compensation technology				
- Surroundstage Signal Processing				
- 12-speaker sound system - includes one subwoofer				
Bluetooth® hands free phone & audio	Std	Std	Std	Std
7" full-color touch-screen display	Std	-	-	-
8" full-color touch-screen display	-	Std	Std	Std
Multi-Function Commander Control	Std	Std	Std	Std
MAZDA CONNECT™ Infotainment System	Std	Std	Std	Std
- Infotainment system voice command				
- Radio Broadcast Data System program information				
- Aha™ internet radio integration				
- Pandora® internet radio integration				
- Stitcher™ internet radio integration				
- SMS text message audio delivery and reply				
- E911 automatic emergency notification				
Mazda Navigation system	-	Pkg	Std	Std
SiriusXM® satellite radio w/ 4-month subscription	-	Pkg	Std	Std
USB Inputs (Two front are 1A and two rear are 2.1A)	2	4	4	4
INSTRUMENTATION				
Active Driving Display (Head-Up Display)	-	-	Std	Std
Ambient temperature	Std	Std	Std	Std
Digital clock	Std	Std	Std	Std
Fuel level gauge	Std	Std	Std	Std
Gauges, black background with white lettering and silver surround	Std	Std	Std	Std
Speedometer	Std	Std	Std	Std
Tachometer	Std	Std	Std	Std
Trip computer (Odometer, Trip meter A & B, current and average fuel economy, distance-to-empty, and compass mode)	Std	Std	Std	Std
Multi-Information Display w/trip computer includes (Engine coolant temperature gauge, Maintenance monitor, BSM display, Distance recognition support system display, MRCC display, LAS & LDW display, cruise control, compass and warning message display)	-	-	Std	Std
Warning lights: brake system, high-beam headlights, turn signals/hazard warning on, check engine, engine oil pressure, engine coolant "high" temp, engine coolant "low" temp, battery charge, defogger-on, air bag/front seat belt pretensioner system, door-ajar, low fuel, Anti-lock Brake System, cruise control on, tire pressure monitoring system	Std	Std	Std	Std
SAFETY & SECURITY				
3-point safety belts for all seating positions	Std	Std	Std	Std
Advanced dual front air bags (SRS)	Std	Std	Std	Std
Front side-impact air bags	Std	Std	Std	Std
Side air curtains (front, rear, and 3rd row) with roll-over protection	Std	Std	Std	Std
Blind Spot Monitoring System	-	Std	Std	Std
Rear Cross Traffic Alert	-	Std	Std	Std
Engine immobilizer anti-theft system	Std	Std	Std	Std
Front safety-belt pretensioners with force limiters	Std	Std	Std	Std
Lane Departure Warning (LDW)	-	-	Std	Std
Lane Keep Assist (LKA)	-	-	Std	Std
LATCH system - rear seat child safety seat lower anchors & upper tethers	Std	Std	Std	Std
Rear backup sensors	-	Pkg	Std	Std
Rearview camera	Std	Std	Std	Std
Side-impact door beams	Std	Std	Std	Std
Smart Brake Support (SBS) with Distance Recognition Support System (DRSS)	-	-	Std	Std
Smart City Brake Support (SCBS)	-	Pkg	Std	Std
Tire pressure monitoring system	Std	Std	Std	Std

Sport and Touring Instrumentation



- Distance-to-empty mode
- Average fuel economy mode
- Current fuel economy mode
- Compass mode

Steering Switch



Odometer

78 miles

Press the selector

Trip meter A

TRIP
A

8 miles

Press the selector

Trip meter B

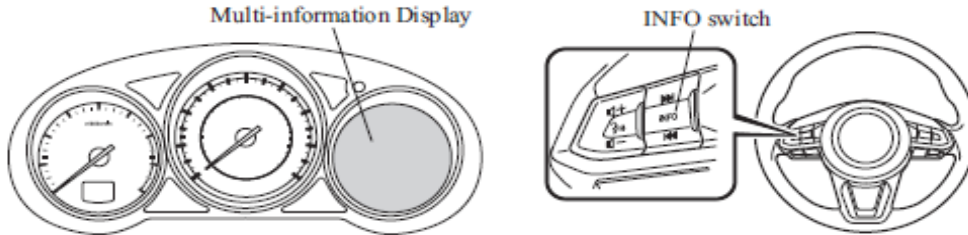
TRIP
B

8 miles

Press the selector

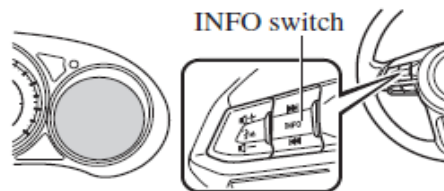
GT and Signature Instrumentation

Multi-information Display and INFO Switch*



The multi-information display indicates the following information.

- Odometer
- Trip meter
- Engine coolant temperature gauge
- Fuel gauge
- Outside temperature
- Distance-to-empty
- Average fuel economy
- Current fuel economy
- Maintenance Monitor
- Blind Spot Monitoring (BSM) Display
- Distance Recognition Support System (DRSS) Display
- Mazda Radar Cruise Control (MRCC) Display
- Lane-keep Assist System (LAS) & Lane Departure Warning System (LDWS) Display
- Cruise Control Display
- Compass Display
- Warning message



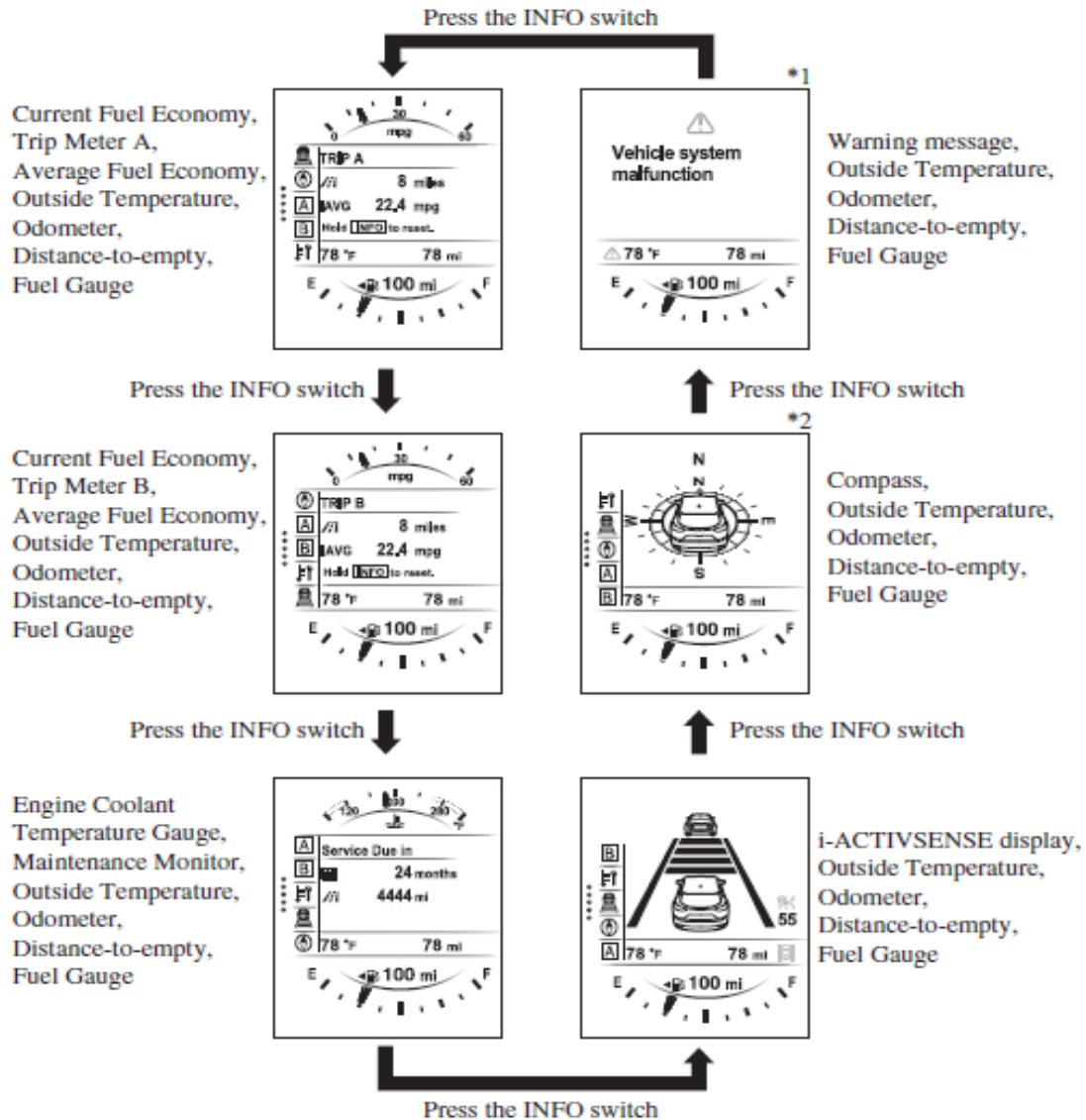
TRIP A	
//1	8 miles
IAVG	8.0 mpg
Hold INFO to reset.	
78 mi	

Press the INFO switch ↓

TRIP B	
//1	8 miles
IAVG	8.0 mpg
Hold INFO to reset.	
78 mi	

GT and Signature Instrumentation

The screen content changes each time the INFO switch is pressed.

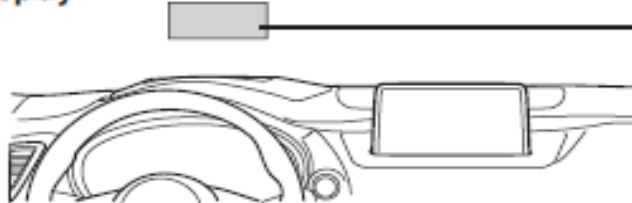


*1: Displayed only when a warning occurs.
 *2: Displayed only while vehicle is being driven.

GT and Signature Instrumentation

Head-Up Display


Active Driving Display



The active driving display indicates the following information:

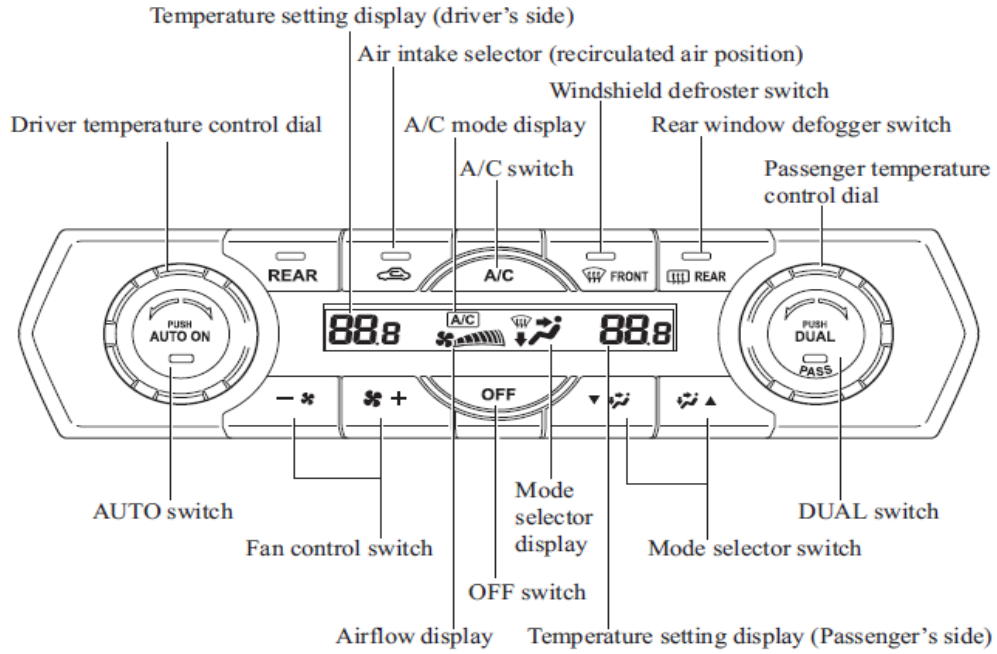
- Blind Spot Monitoring (BSM) Operation Conditions and Warnings
Refer to Blind Spot Monitoring (BSM) on page 4-92.
- Distance Recognition Support System (DRSS) Operation Conditions and Warnings
Refer to Distance Recognition Support System (DRSS) on page 4-98.
- Mazda Radar Cruise Control (MRCC) Operation Conditions and Warnings
Refer to Mazda Radar Cruise Control (MRCC) on page 4-106.
- Lane-keep Assist System (LAS) & Lane Departure Warning System (LDWS) Operation Conditions and Warnings
Refer to Lane-keep Assist System (LAS) & Lane Departure Warning System (LDWS) on page 4-117.
- Smart City Brake Support (SCBS) Warnings
Refer to Smart City Brake Support (SCBS) on page 4-129.
- Smart Brake Support (SBS) Operation Conditions and Warnings
Refer to Smart Brake Support (SBS) on page 4-134.
- Cruise Control Operation Conditions
Refer to Cruise Control on page 4-147.
- Navigation Guidance (vehicles with navigation system)
- Speed limit indicator (vehicles with navigation system)
- Tachometer
- Vehicle Speed

Each setting/adjustment for the active driving display can be performed on the center display.

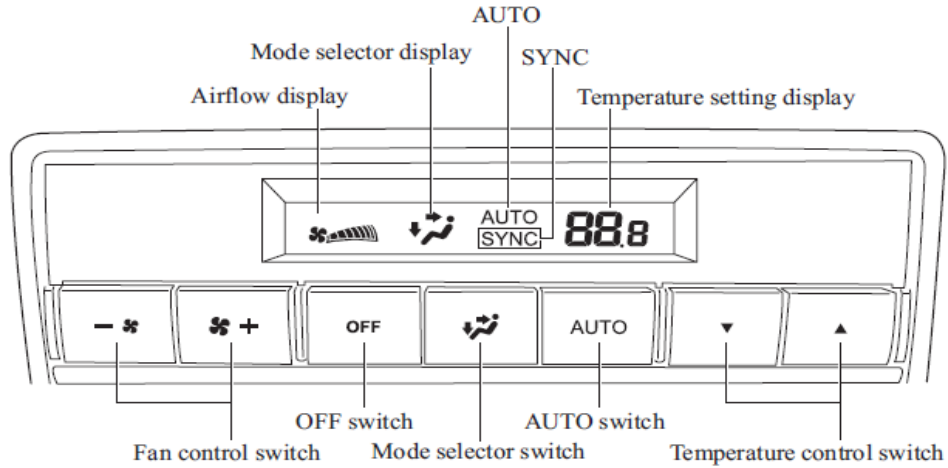
1. Select the  icon on the home screen and display the Settings screen.
2. Select the AD-Disp tab.
3. Select the desired item and perform the setting/adjustment.
 - Method for adjusting screen brightness (automatically/manually)
 - Screen brightness initial settings (automatic adjustment is selected)
 - Screen brightness adjustment (manual adjustment is selected)
 - Display position of active driving display (display height)
 - Active driving display angle adjustment (display angle correction)
 - Turn by turn (TBT) display/non-display (navigator guidance)
 - Street name display timing can be changed (navigator guidance)
 - Tachometer display/non-display
 - Active driving display ON/OFF (indication)
 - Reset settings (reset)

Air Conditioning

Front A/C



Rear A/C



12V / USB and Aux outlet locations

12V outlet locations (All models)

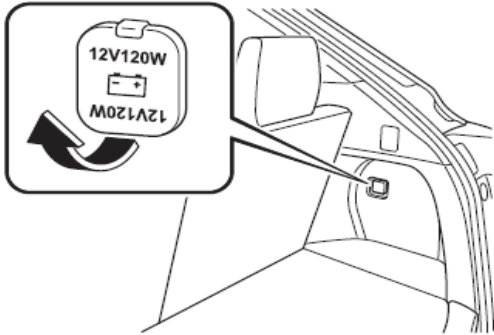
Front

The ignition must be switched to ACC or ON.

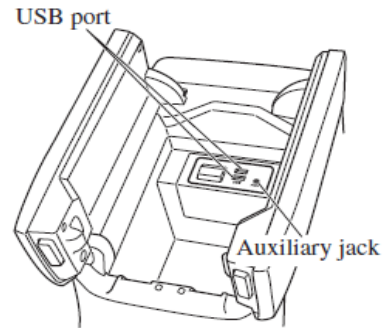


Rear

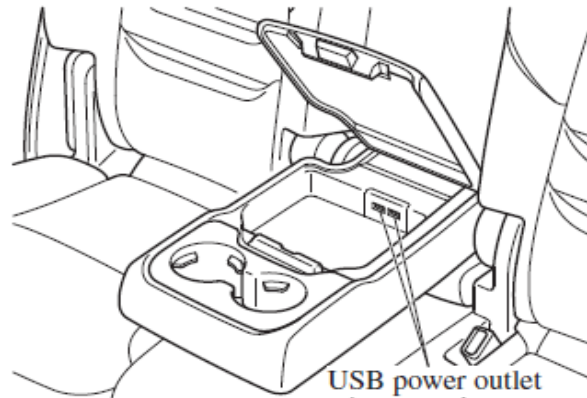
The accessory sockets can be used regardless of whether the ignition is on or off.



Front ports (All models)



Rear USB ports (Touring, GT, Signature) - adds two ports in rear console



2016 CX-9				
PACKAGES & OPTIONS	<i>Sport</i>	<i>Touring</i>	<i>Grand Touring</i>	<i>Signature</i>
Power Driver Seat with Heated Front Seats & Mirrors(PW6): - 8-way power adjustable driver seat with power lumbar support - Heated front cloth seats - Heated outside mirrors	Pkg	-	-	-
Touring Premium Package - Auto On-Off headlights - Bose® premium audio with 12 speakers - LED Foglamps - Navigation system - Power sliding glass moonroof with interior sunshade - Rear backup sensor - Rain sensing wipers - Second-row retractable window sunshade - Smart City Brake Support (SCBS) - SiriusXM® Satellite Radio with 4-month subscription	-	Pkg	-	-
Snowflake White Pearl Mica	Opt	Opt	Opt	Opt
Soul Red	-	Opt	Opt	-
Machine Gray	Opt*	Opt*	Opt	Opt

*May production

2016 CX-9

PORT INSTALLED ACCESSORIES	Code	Sport	Touring	Grand Touring	Signature
ELECTRONICS					
Frameless Auto-Dimming Rearview Mirror w/ Homelink®	MRH	X	N/A	N/A	N/A
Mazda Mobile Start (Smartphone Remote Engine Start)	MMS	X	X	X	X
Navigation SD Card (Fleet Only)	NVF	X	X*	N/A	N/A
Parking Sensors, Rear	PSR	X	X*	N/A	N/A
EXTERIOR					
Fog Lights, LED	FOG	X	X*	N/A	N/A
Roof Rack, Side Rails - Aluminum w/ Satin Chrome Finish	RCK	X	X	STD	STD
Splash Guards, Front & Rear	SGB	X	X	X	X
Towing Receiver Hitch w/Wiring Harness (3,500 Pound Tow Capacity)	TTH	X	X	X	X
Wheel Locks	WLK	X	X	X	X
INTERIOR					
Cargo Mat, Carpeted	CGM	X	X	X	X
Cargo Net + Side Storage Nets	1CN	X	X	X	X
Floor Mats, All-Weather	FLA	X	X	X	X
Interior Lighting Kit	ILK	X	X	X	X
Retractable Cargo Cover (Summer Availability)	RCC	X	X	X	X

* = N/A with Touring Premium Package

2016 CX-9

DEALER INSTALLED ACCESSORIES	Sport	Touring	Grand Touring	Signature
ELECTRONICS				
3.5mm Audio Cable	X	X	X	X
Frameless Auto-Dimming Rearview Mirror w/ Homelink®	X	N/A	N/A	N/A
Garmin Nuvi 2539LMT Portable Navigation w/ Lifetime Maps & Traffic	X	X	X	X
Mazda Mobile Start (Smartphone Remote Engine Start)	X	X	X	X
Navigation System (SD Card)	X	X*	N/A	N/A
Parking Sensors, Rear	X	X*	N/A	N/A
EXTERIOR				
Fog Lights, LED	X	X*	N/A	N/A
License Plate Frame w/ CX-9 Logo (Brushed or Polished)	X	X	X	X
License Plate Frame Full Size Type (Various Logos & Finishes)	X	X	X	X
License Plate Frame Slimline Type (Various Logos & Finishes)	X	X	X	X
License Plate Frame Gift Set (includes Frame, Key Chain, & Valve Stem Caps) (Various)	X	X	X	X
Mazda Keychains (Various Logos & Finishes)	X	X	X	X
Mazda Valve Stem Caps	X	X	X	X
Moonroof Wind Deflector	N/A	X**	X	X
Roof Luggage Basket w/Stretch Net (Requires Roof Rails & Cross Bars)	X	X	X	X
Roof Rack, Bike Carrier (Requires Roof Rails & Cross Bars)	X	X	X	X
Roof Rack, Cargo Box (XL & Medium lengths) (Requires Roof Rails & Cross Bars)	X	X	X	X
Roof Rack, Cross Bars (Requires Roof Rails)	X	X	X	X
Roof Rack, Kayak Carrier (Requires Roof Rails & Cross Bars)	X	X	X	X
Roof Rack, Side Rails - Aluminum w/ Satin Chrome Finish	X	X	STD	STD
Roof Rack - Ski/Snowboard Carrier (Requires Roof Rails & Cross Bars)	X	X	X	X
Roof Rack - Surfboard/Stand-Up Paddleboard Carrier (Requires Roof Rails & Cross Bars)	X	X	X	X
Side Window Deflectors/Visors	X	X	X	X
Splash Guards, Front	X	X	X	X
Splash Guards, Rear	X	X	X	X
Touch-Up Paint	X	X	X	X
Towing Receiver Hitch (3,500 pound tow capacity)	X	X	X	X
Towing Receiver Hitch - Bike Carrier (Requires Towing Receiver Hitch)	X	X	X	X
Towing Receiver Hitch - Cargo Box (Requires Towing Receiver Hitch)	X	X	X	X
Towing Receiver Hitch - Wiring Harness	X	X	X	X
Wheel Locks (Set of Four)	X	X	X	X
INTERIOR				
Ashtray with LED Illumination	X	X	X	X
Cargo Cover, Retractable (Summer Availability)	X	X	X	X
Cargo Mat, Carpeted	X	X	X	X
Cargo Net (Horizontal Floor Type)	X	X	X	X
First Aid Kit	X	X	X	X
Floor Mats, All-Weather (Front & Rear)	X	X	X	X
Interior Lighting Kit (Footwell)	X	X	X	X
Roadside Assistance Kit	X	X	X	X
Side Storage Nets	X	X	X	X
Soft Cargo Liner (w/ bumper flap)	X	X	X	X
Soft Cargo Tote	X	X	X	X
Windshield Sunscreen (w/ CX-9 logo)	X	X	X	X

* = N/A with Touring Premium Package

** = Requires Touring Premium Package

2016 CX-9

INTERIOR & EXTERIOR COLORS										
COLOR CODE		EXTERIOR COLOR		INTERIOR					NAPPA LEATHER	
				<i>Sport</i>		<i>Touring</i>		<i>Grand Touring</i>		
				CLOTH		LEATHER		LEATHER		
		Black TC0	Sand TC2	Black TC0	Sand TC3	Black TC1	Sand TC4	Auburn TC5		
25D	Snowflake White Pearl Mica	■	■	■	■	■	■	■		
42M	Deep Crystal Blue Mica	■	■	■	■	■	■			
45P	Sonic Silver Metallic	■		■		■		■		
46G	Machine Gray Metallic	■	■	■	■	■	■	■		
41W	Jet Black Mica	■	■	■	■	■	■	■		
41V	Soul Red Metallic			■	■	■	■			
42S	Titanium Flash Mica		■		■		■			

AWD Only

2016 CX-9 SPECIFICATIONS

ENGINE	
Type	2.5L I4 Dynamic Pressure Turbo
Horsepower, SAE net Regular unleaded 87 AKI	227 HP @ 5000 rpm
Premium unleaded 93 AKI	250 HP @ 5000 rpm
Torque, SAE net	310 lb ft @ 2000 rpm
Displacement (cc)	2488
Bore x Stroke (mm)	89 X 100
Compression Ratio	10.5
Recommended Fuel	87 AKI
Redline	6300
Engine Block Material	Aluminum
Cylinder Head Material	Aluminum
Emission Regulation	T2Bin5(16MY) T3Bin125 (17MY)
Emission Control (50 State)	3-Way Catalyst
Ignition System	Direct coil-on-plug electronic ignition
Alternator	12V - 150A
Battery	55D23L
Starter	12V;1.4kW
Top Speed (mph/kph)	130
DRIVETRAIN	
Drive Wheel:	FWD / AWD
Transmission:	6-Speed AT
Coefficient of Drag	0.35
Ratios (:1)	1st 3.487
	2nd 1.992
	3rd 1.449
	4th 1.000
	5th 0.707
	6th 0.600
	Reverse 3.990
	Final Drive 4.411
CHASSIS	
Front Suspension	Independent, MacPherson Strut type coil spring and stabilizer bar
Rear Suspension	Independent, Multi-link type coil spring and stabilizer bar
Steering Type	Column type
Power Assist	Electric Power Assist Steering (EPAS)
Steering Wheel Turns Lock-to-Lock	3.1 rev
Overall Steering Ratio	17.6:1
BRAKING / WHEELS / GVW	
Braking System	Diagonal Hydraulic
Anti-Lock Braking System	Standard with EBD
Front Brakes	2-piston caliper / 12.6" front ventilated disc
Rear Brakes	1-piston caliper/ 12.8" solid disc
Parking Brake	Electronic parking brake
Wheels	18 x 8J (Sport, Touring) / 20 x 8.5J (Grand Touring, Signature)
Tires	P255/60R18 (Sport, Touring) / P255/50R20 (Grand Touring, Signature)
Temporary Spare Tire	T155/90D17
Total Curb Weight w/AC (lbs)	FWD=4,054/AWD = 4,301
Total Gross Vehicle Weight (lbs)	FWD = 5,661/AWD = 5,816
ESTIMATED FUEL ECONOMY	
FWD	22/28
AWD	21/27
CAPACITIES	
Engine Oil (U.S. quarts/L)	5.1 / 4.8 (w Oil Filter)
Engine Coolant (U.S. quarts/L)	10.5 / 9.9
Washer Fluid Tank (U.S. quarts/L)	2.3/ 2.2
Fuel Tank Capacity (gallons/L)	FWD 19 (72) / AWD 19.5 (74)
Towing Capacity (lbs.)	3,500 lbs

2016 CX-9 SPECIFICATIONS

EXTERIOR DIMENSIONS

Overall Length	w/o License Plate Holder (in)	199.4
Overall Width	w/o and w/wheel arch molding Width (in)	77.2 / 77.5
Overall Height	w/o shark fin antenna (in)	67.6
	w/shark fin antenna (in)	69
Overhang	Front w/o License Plate Holder (in)	40.5
	Rear (in)	43.6
Wheelbase	Wheelbase (in)	115.3
Track	Front (in)	65.3
	Rear (in)	65.2
Ground clearance between the axles (Unladen) (in)		8.8
Curb-to-Curb Turning Circle (radius - ft)		19.4

INTERIOR DIMENSIONS

Headroom	Front Row w/o Moonroof (in)	39.3
	2nd Row w/o Moonroof (in)	38.5
	3rd Row (in)	35.4
Shoulder Room	Front Row (in)	57.9
	2nd Row (in)	58.1
	3rd Row (in)	53.1
Hip Room	Front Row (in)	56.7
	2nd Row (in)	57.4
	3rd Row (in)	40.1
Leg Room	Leg Room, Front Row (in)	41.0
	Leg Room, 2nd Row (in)	39.4
	Leg Room, 3rd Row (in)	29.7
	Rear knee clearance 2nd Row (in)	4.5
Hip Point Height	from Floor, Front Row (in)	13.6
	from Ground Unladen, Front Row (in)	28.5
	from Floor, 2nd Row (in)	14.8
	from Ground Unladen, 2nd Row (in)	30.9

CARGO AREA DIMENSIONS

Cargo Area	Tail Gate Opening Width (in)	43.2
	Tail Gate Opening Height (in)	29.6
Cargo Room	threshold Height from Ground (in)	31.7
	Length w/ 3rd seats upright (in)	21.5
	Length w/3rd Seat folded (in)	50.5
	Length to 1st row (in)	84.9
	Width at Floor (in)	58.6
	Width between Rear Tire House (in)	40.2

INTERIOR VOLUME

Passenger	w/o Moonroof (cubic ft/L)	135.1
Cargo Volume	2nd and 3rd row seat upright (cubic ft)	14.4
	3rd row seats folded (cubic ft / L)	38.2
	2nd and 3rd row seats folded (cubic ft / L)	71.2

**2016 MAZDA CX-9
REVISIONS & UPDATES**

DATE	PAGE	CONTENT	Effective Date	UPDATES
May 25, 2016	3	Product summary	May 25, 2016	Dropped courtesy lamps on front door for all grades Dropped courtesy lamps on rear door for GT/Sig. There is lighting but no visible lamp on the door.
May 25, 2016	4	Equip & features	May 25, 2016	Dropped front and rear door courtesy lamps
May 25, 2016	16	Specs	May 25, 2016	Changed Rear brakes from ventilated to solid disc